

Smartly installed under the sink



**Swiss Made Technology**  
Swiss made unique 0.2 micron ceramic process eliminating all harmful cysts and bacteria.



**Safe To Drink**  
Removes more than 99.99% microorganism with the silver ion incorporated ceramic that sterilize any bacteria present.



**Eco Friendly**  
Its essential components are made of natural and biodegradable ingredients.



**Durable**  
Long-lasting and reuseable filter systems



**No Boiling & Electricity**  
No boiling & no electricity required. Energy & cost saving.



**Health Benefits**  
Removes chlorine and heavy metals as well as health-threatening byproducts effectively. Cancer risk is reduced.

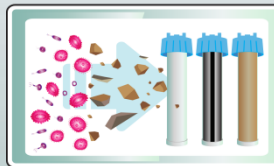


**Quality Certified**  
Filtration systems are worldwide tested and certified from recognized associations.



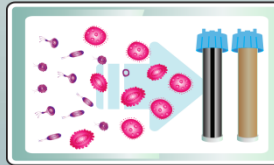
**Retained Essential Minerals**  
pH neutral water to maintain the essential minerals in water for your body's absorption.

### 3 Step® Swisspro Filtration Process



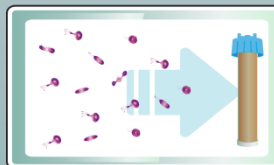
**STEP 1:**  
**CleanSwiss - Preliminary Filter**

Filters out suspended solids, like rust and sand particles, sizes more than 1 micron.



**STEP 2:**  
**CarboSwiss - Activated Carbon Filtration**

Removes chemicals, odors and chlorine and heavy metals. Improves and enhances the natural taste of drinking water.



**STEP 3:**  
**CeraSwiss - Ceramic Filtration Technology**

Removes more than 99.99% microorganisms and bacteria based on the 0.2 micron\* - microporous & silver incorporated ceramic. Regeneration ability which is cleanable and reusable.



**Result:**  
Safe and natural tasting drinking water from your tap

Dimension	33 (Length) x 36 (Height) x 10 (Breath) cm
Flow Rate	1.5L / min
Weight	3.5 kg (Dry) ~ 5 kg (Wet)
Operating Pressure & Temperature	1.5 bar (Min)    20°C (Min) 6 bar (Max)     35°C (Max)

3 Step Swisspro Filter Process

Filter Elements



**1. CleanSwissP**

It works effectively against suspended solids that are more than 5 micron, such as rust and/or sand particles, without any use of chemicals.

**Service Life:** Approx. up to 6 - 12 months

**2. CarboSwiss**

Is a high performance activated carbon filter

- absorbs free chlorine
- remove other organic contaminants
- remove bad taste and odors
- remove lead and other heavy metals

**Service Life:** Approx. up to 12 months



**3. CeraSwiss**

A 0.2 micron ceramic microfilter

- trap all harmful bacteria
- retains suspended solids without using chemicals
- can be cleaned and reused
- Permanently incorporated Katadyn silver is working against bacteria recontamination from the outlet tap.

**Service Life:** Approx. 50,000L or 3 years





**SWISSPRO**®  **SAN**  
Watering your life

*Tri-flow? How does it work?*

**Normal Tap Water (Hot & Cold features)**



**Swisspro Filtered Water**



**SAN CLASSIC (Default)**

**SAN DELUXE**

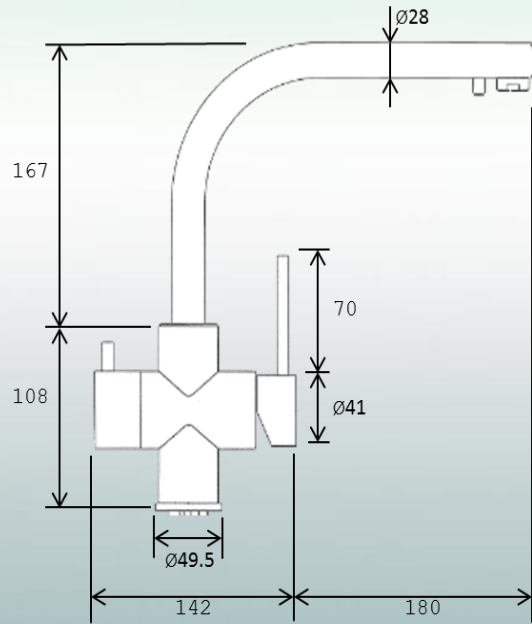
**SAN INOX**

Models

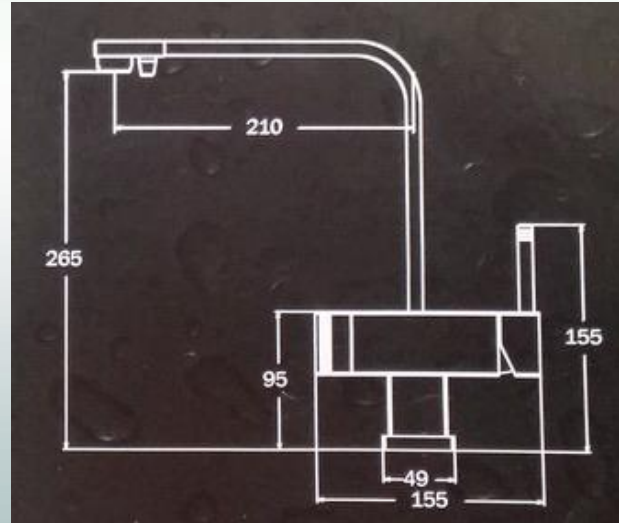


Origin	Taiwan	Taiwan	Italy
Material	Chrome-plated Brass	Chrome-plated Brass	Stainless Steel Matt
Valve	Ceramic Disc	Ceramic Disc	Ceramic Disc
Inlet size	¼" inlet	¼" inlet	¼" inlet
Warranty	1year	1year	5years
Art. No.	SS000108	SS000112	SS000113

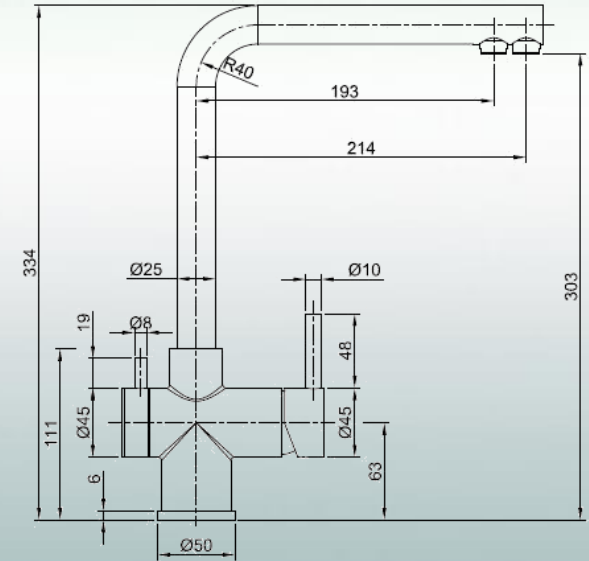
Sketch



\*Scale drawing in mm



\*Scale drawing in mm



\*Scale drawing in mm

Drilling hole  
Table-top  
placement

Ø39mm

Ø54mm

Ø36mm

Ø49mm \* Ø49mm (Square surface)

Ø36mm

Ø50mm